

# NT 48

DOOSAN MINING

# DUMP TRUCK



***DOOSAN***

***NASR***



# PERFORMANCE *New 20m<sup>3</sup> 8X4 Dump is a versatile machine which can operate in tough working condition of any kind of deep & surface mining operations*

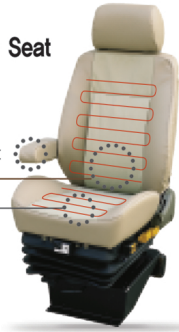
## New 8X4 Dump Truck

Chassis Model	M8MVF
Driving	LHD
GVW	48ton
Eng	420ps(Euro2)
T/M	ZF 16 Speed
Rear Axle	Hub Reduction
Tire	12.00R24
Deck Volume	20m <sup>3</sup>



**Air Suspension Seat (Optional)**

Driver Seat Arm Rest  
Lumbar Support  
Heating



**Electric Cab Tilting**



**Rear Dump Deck Ladder**

**Frame**  
Durable and strong frame with a high tensile strength steel (ATOS 80)

**Dumping Mechanism**  
Telescopic Type



**Dump Deck composition**

- ▶ 20m Standard Body
- ▶ Side 6 mm
- ▶ Floor 8 mm

- 12.00R24 Tire

Multi Leaf w/ V-Torque Rod

High capacity Hub Reduction Axle(30ton)



01. Cabin Instyle

Cabin interior gives a cozy appearance in light gray color scheme. The dashboard and other interior belongings have smooth contours and provide independent space for both the driver and passenger.

02. Multi Leaf Spring(Front & Rear)

03. V-Torque Rod

04. Rear Drive Axle

05. Spare Tire

**DOOSAN**

**NASR**

# NT 48 – 8X4 CHASSIS

## Engine

Model	Doosan Infracore DX12TIS (Euro II)
Type	Turbo intercooler, diesel engine
Max. Power	420ps (309kw)/ 1,900rpm
Max. Torque	187kg.m (1834N.m)/ 1,200rpm
No. of cylinder	In line 6 cylinders
Bore x Stroke	123 x 155 (mm)
Displacement	11,051 (cc)
Controller type	Mechanical
Air cleaner	Dry paper elements

## Transmission

Model	ZF16S1830TO
Type	Manual F16/R2
1 <sup>st</sup>	13.80 / 11.54
2 <sup>nd</sup>	9.490 / 7.930
3 <sup>rd</sup>	6.530 / 5.460
4 <sup>th</sup>	4.570 / 3.820
5 <sup>th</sup>	3.020 / 2.530
6 <sup>th</sup>	2.080 / 1.740
7 <sup>th</sup>	1.430 / 1.200
8 <sup>th</sup>	1.000 / 0.840
Reverse	12.92/10.80

## Brakes

Service	: Full Air Brake. Dual circuit
Drum diameter	: 410 mm
Lining Front	: 414x155mm
Rear	: 414x203mm
Material	: Non-Asbestos
Parking	: Spring actuator at rear
Wheels	
Auxiliary	: Exhaust brake
*option	: ABS&ASR

## Axles

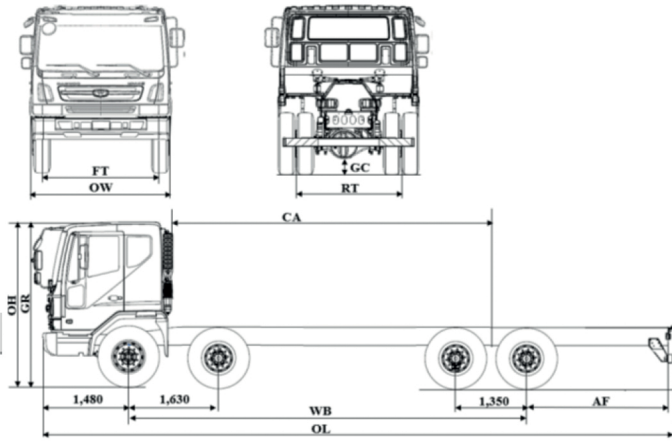
Front & Middle	Reverse Elliot "I" beam Capacity : 18,000 kg
Rear	Hub reduction Final drive ratio : 4.769 Capacity : 30,000 kg

## Fuel Tank

Mounted on right-hand Side Under the frame  
Capacity – 400 liter

## Wheels & Tires

Front : 12.00R24, 8.5V×24  
Rear : 12.00R24, 8.5V×24



## Dimensions (mm)

<b>OL</b>	Overall length	9,055
<b>OW</b>	Overall width	2,585
<b>OH</b>	Overall height	3,035
<b>FT</b>	Tread – front	2,050
<b>RT</b>	Tread – rear	1,910
<b>WB</b>	Wheelbase	6,435
<b>AF</b>	Rear axle to frame	950
<b>GR</b>	Ground to roof	3,035
<b>R</b>	Frame-ground above bogie	1,175
<b>CA</b>	Usable cab to axle	4,980
<b>GC</b>	Min. ground clearance	355

## Weights (kg)

Chassis weight	Front	6,140
	Rear	4,680
	Total	10,820
Axle load	Front	18,000
	Rear	30,000
Permissible G.V.W		48,000

## Steering

Driving position	Left-hand drive
Type	Recirculating ball with integral Power assisted by oil
Steering column	Tilt & telescopic
Steering wheel	2-spoke wheel with horn button

## Clutch

Type	Hydraulic control with air assisted
Plate diameter	Dry single plate with diaphragm Out side diameter : 430mm

## Suspension

Front suspension	Type : semi-elliptical leaf spring Size(LxW) : 1,500 x 90 (mm)
Rear suspension	Type : semi-elliptical leaf spring Size(LxW) : 1,350 x 90 (mm)

## Electrical System

Batteries	12 volt-120Ahx2
Alternator	24 volt / 60 amp
Starter	24 volt / 6.0kW

## Calculated Performance

Max. speed(km/h)	105
Max. gradeability(%)	41.2
Min. turning radius (m)	11.9

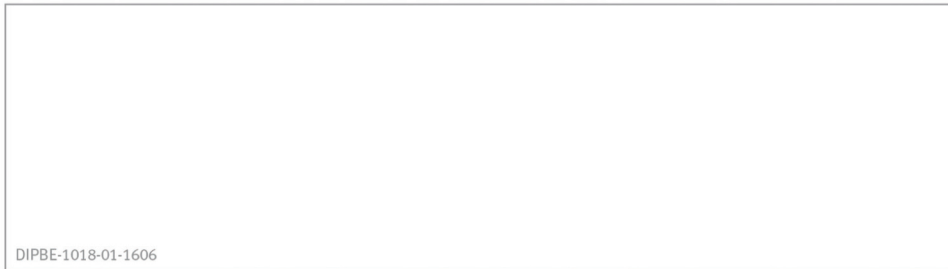
## Frame

Type	Ladder type, double channel
Size (HxVxt)	320 x 90 x (8+7) (mm)
Towing hook	Equipped front & rear

- Dimension & Weight are approximate.
- Permissible weight includes upper body weight. Always observe national regulations on permissible axle loads and gross weight.



Powered by  
**Innovation**



DIPBE-1018-01-1606

Materials and Specifications in the catalogue are subject to change without notice.

**NASR** MACHINE  
INTERNATIONAL

[www.nasrmachine.com](http://www.nasrmachine.com)  
[sales@nasrmachine.com](mailto:sales@nasrmachine.com)  
+98 (21) 61777  
Whatsapp : +98 (912) 30 430 86

